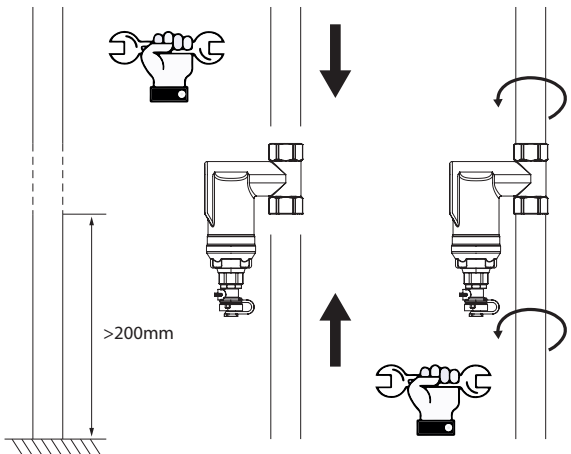
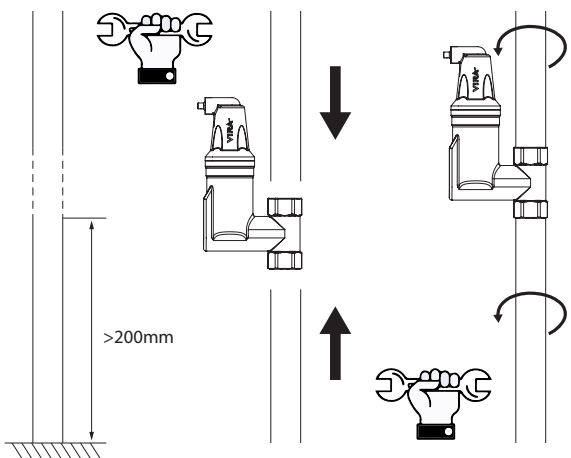


1



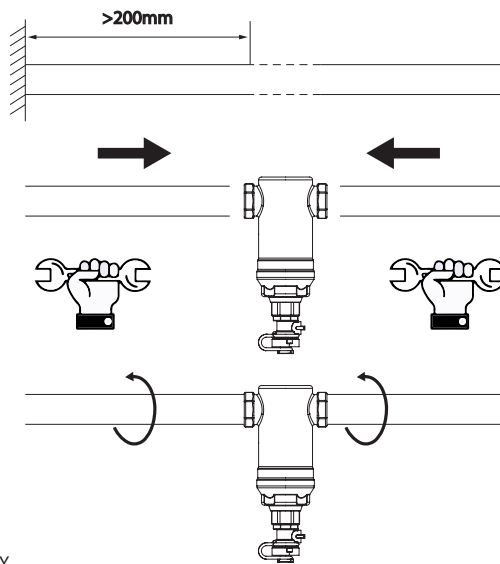
SD-D-D

2



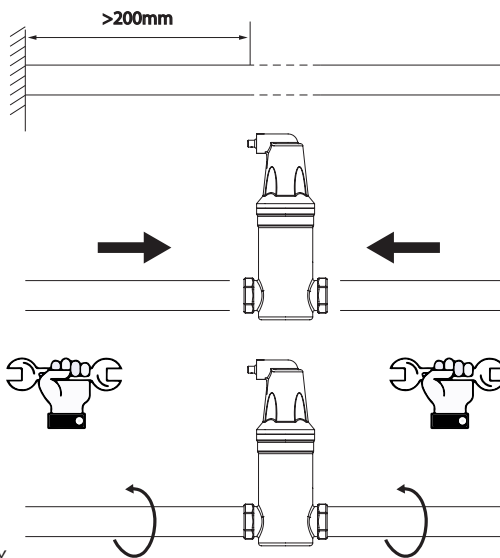
SV-D-D

3



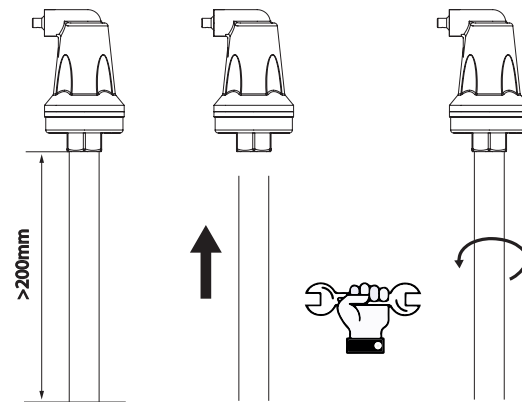
SD-D-Y

4



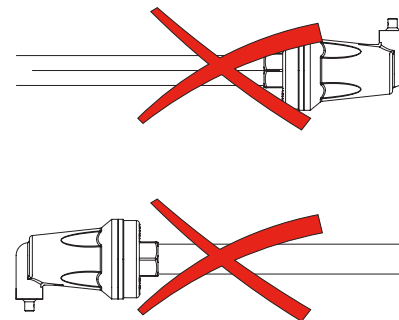
SV-D-Y

5



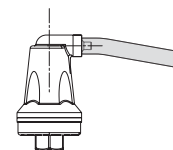
ST-SS

6



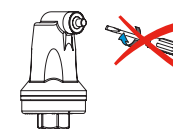
ST-SS

7

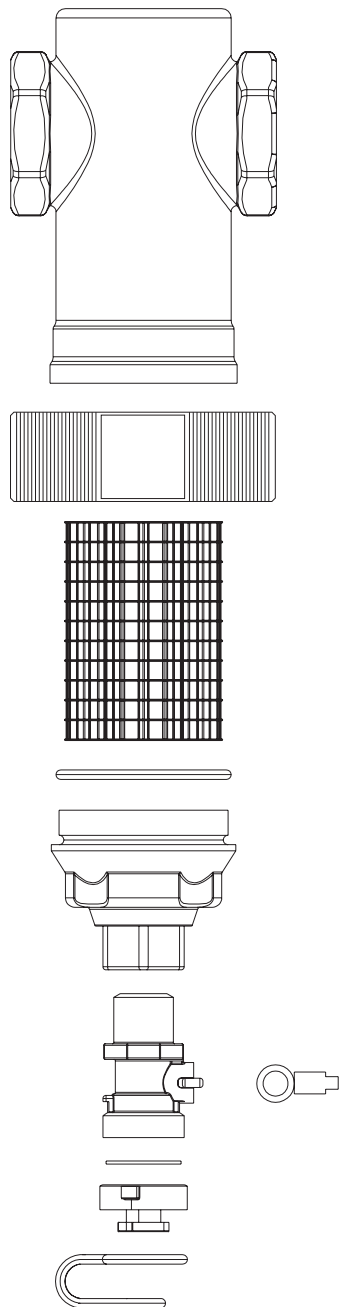


ST-SS

8

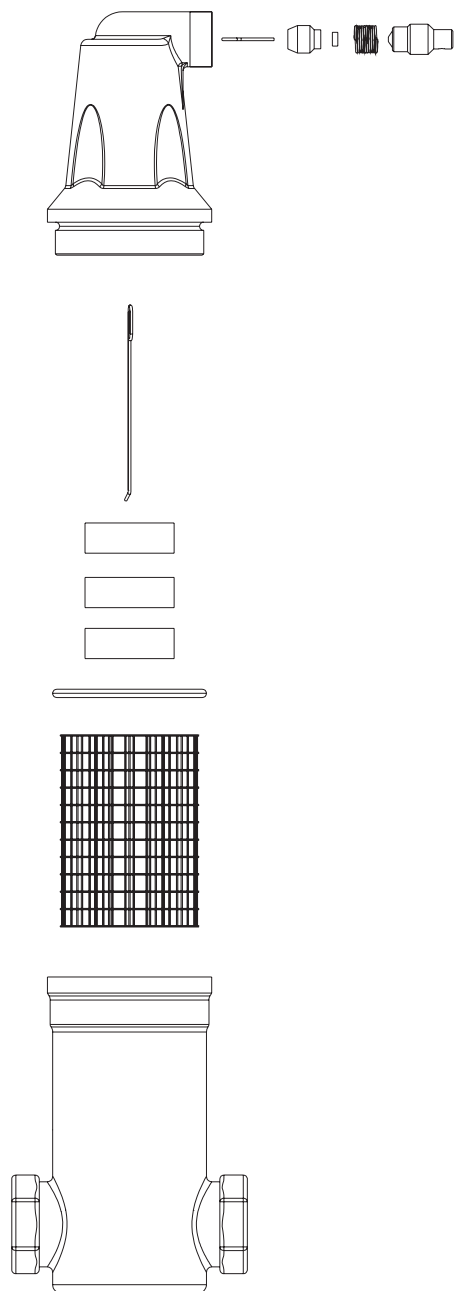


9



SD-D-Y

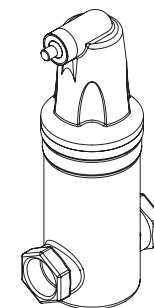
10



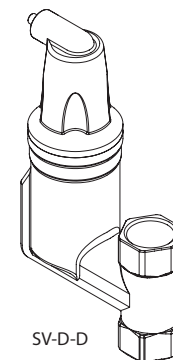
SV-D-Y

ViRA[®]

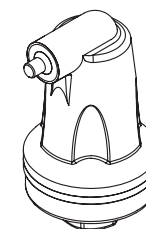
Body : Nickel
 Float : PP - Polypropylene
 Max. Work. Temp. : 110 °C
 Max. Work. Pressure : 10 Bar



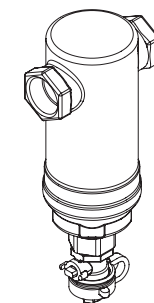
SV-D-Y



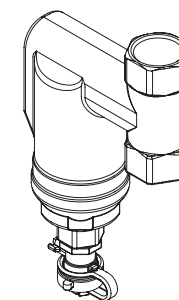
SV-D-D



ST-SS



SD-D-Y



SD-D-D