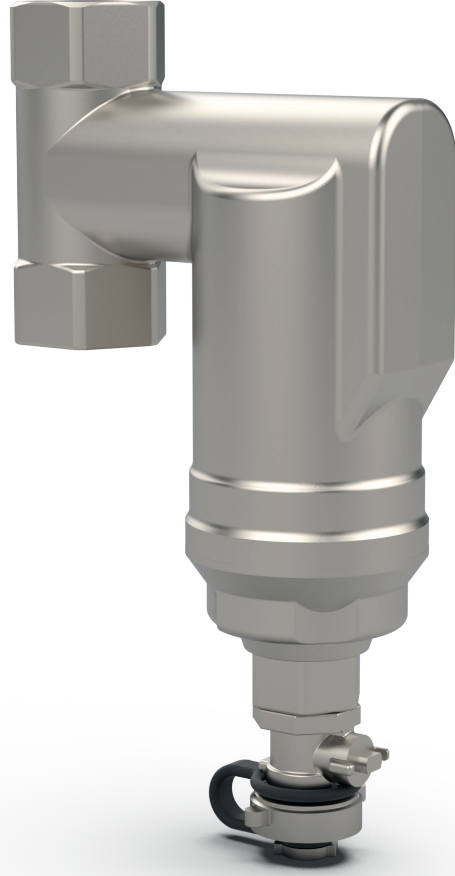


VIRACLEAN



Dirt Separator Vertical Type **INSTALLATION & OPERATION INSTRUCTIONS**

📍 Metal İş Sanayi Sitesi 11.Blok No:37/39
İkitelli - İstanbul / TURKEY

☎ 0212 549 57 70

☎ 0212 549 58 48

✉ info@viraisi.com

🌐 www.viraisi.com

ENG

Dear Customer,

Thank you for choosing our ViRATOP, ViRAVENT and ViRACLEAN product that is produced in our facilities with extreme care.

Mission of Vira Isı ve Endüstriyel Ürünler A.Ş. which manufactures with completely domestic capital and its own experience using the highest technology is to be the symbol of quality and reliability by offering the customers products and service in the world standarts in an environmental conscious. Contact to Vira Isı ve Endüstriyel Ürünler A.Ş. if you have any problems. Vira Isı ve Endüstriyel Ürünler A.Ş. operation instructions includes specifications, functions, introductory information, operation and maintenance explanations of the appliance.

To use your appliance more efficiently make sure to read the operation instructions before operation.

In some sections of this manual the following signs have been



CAUTION : Requires special



WARNING : Must be carried out.

1-General Warnings

- ▲ It can be used for water and water/glycol mixtures (max. %50)
- ▲ Installation and maintainence may only be carried out by a quallified installer
- ▲ Incorrect installation or incompetent use or repairs may render the guarantee invalid.
- ▲ Your product is designed to separete air and/or dirt separators and/or hydraulic balancing tank. So, it must be connected to a heating/cooling system compliant with its power and performance.
- ▲ Touching the product in operation may cause burn.
- ▲ Always contact your installer in case of malfunction
- ▲ Not suited for outdoor use
- ▲ Damage or loses resulting from failures are not included in the guarantee.
- ▲ Guarantee is two years after the date of purchase.

2-Safety Precautions

- Do not use your product for the purposes it is not desinged for.
- Do not use your product for drinking water, oil and dangerous or inflammable substances.
- When working on the ViRATOP, ViRAVENT and ViRACLEAN always ensure there is no pressure in the installation and let it cool down.
- Do not use the drain valve for (re) filling Smarttrap.
- Do not use the air drain valve for filling Smartvent.

3-Points That Should be Taken Into Considerations to Use Your Product

- Having the service of the appliance done can be efficient in energy saving.
- Use the proper water your installation.

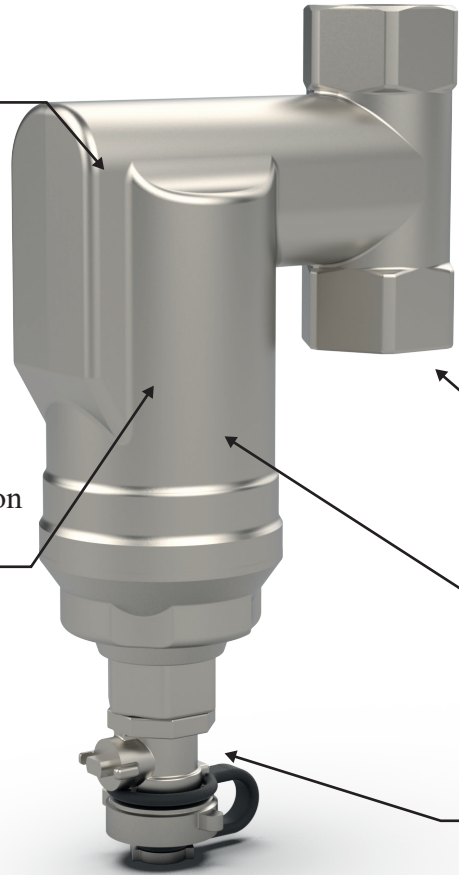
4-Introduction of Your Products

4.1-Main Functions and Functioning Parts Of Your Products

ViRACLEAN : Your product is designed to as a dirt separator.

Long life and strong body.

MicroSmart design is the most important part of the system. and creates a low velocity area inside of the Viraclean. Flow resistance is too low and high separation solid impurities.



Screwed system connection 3/4"-1" for horizontal installation.

Big space for collecting dirt and solids with low drain request.

Dirt and solids drain valve.

5-Installation

ViRACLEAN

- Drain down the heating system.
- Fit the ViraClean preferably on the boiler return pipe work as near to the boiler as possible. Ensure the ViraClean is positioned vertically (see drawings)
- Fit the supplied drain valve to the bottom of the ViraClean: Ensure PTFE tape or a suitable sealing paste is applied to the thread on the drain valve: Shut off the valve using the safety cap as the valve key, then screw the safety cap back on to the drain valve.
 - The drain valve can be used to drain the system.
 - Make sure that the drain valve is always accessible.
 - Drain the ViraClean regularly; once a year is recommended.
 - Important: Never use the drain valve as a filling valve.

Figure 1

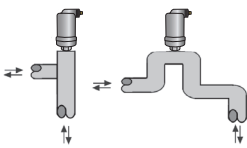


Figure 2

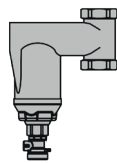
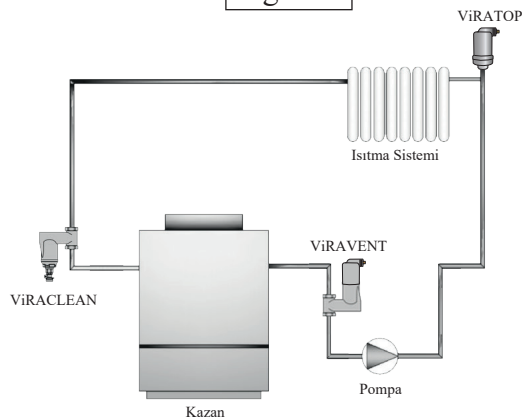
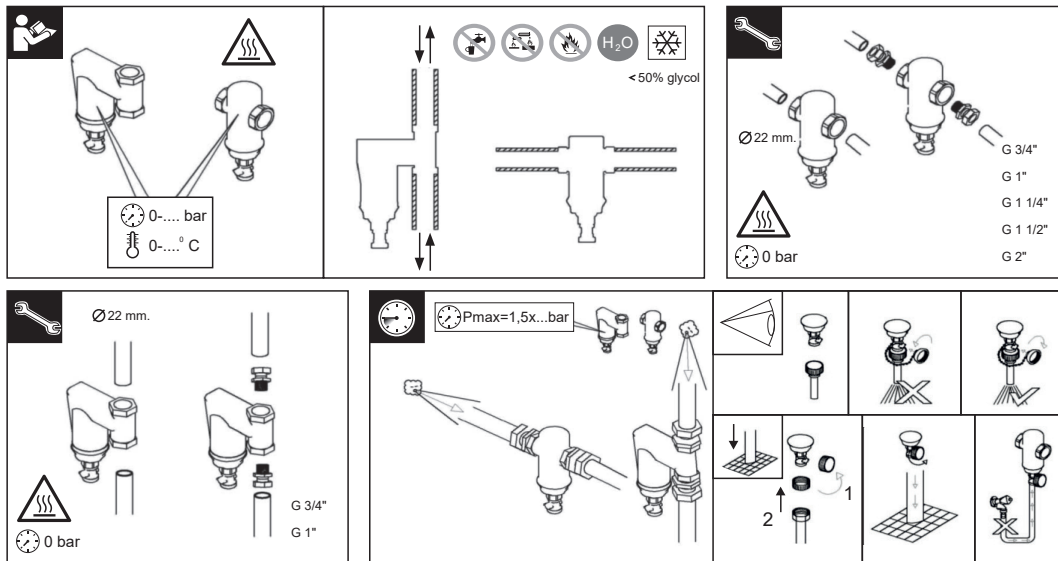


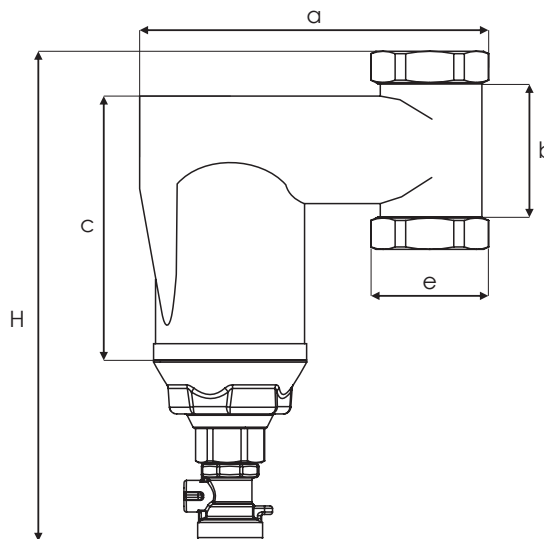
Figure 3



ViRACLEAN Mounting and operating instruction



6-Technical Parameters



TYPE	d	H	a	b	c	e	Weight
		mm	mm	mm	mm	inch	kg
SD-D-D	1"	213	135	60	114	1"	1,79

Note: Vira A.Ş. reserves the right to modify dimensions, material and design without warning.

Working Pressure	: 0-10 bar
Working Temperature	: 0-110 °C
Body	: Brass
Float	: Polypropylene
Filters	: Stainless Steel

7-Guarantee

- 2 years after the date of purchase.
- Incorrect installation or incompetent use or repairs may render the guarantee invalid.
- Failures and defects arise from loading, unloading and transportation of the product after delivery to the customer are not included in the guarantee.
- Damage or losses resulting from failures are not included in the guarantee.