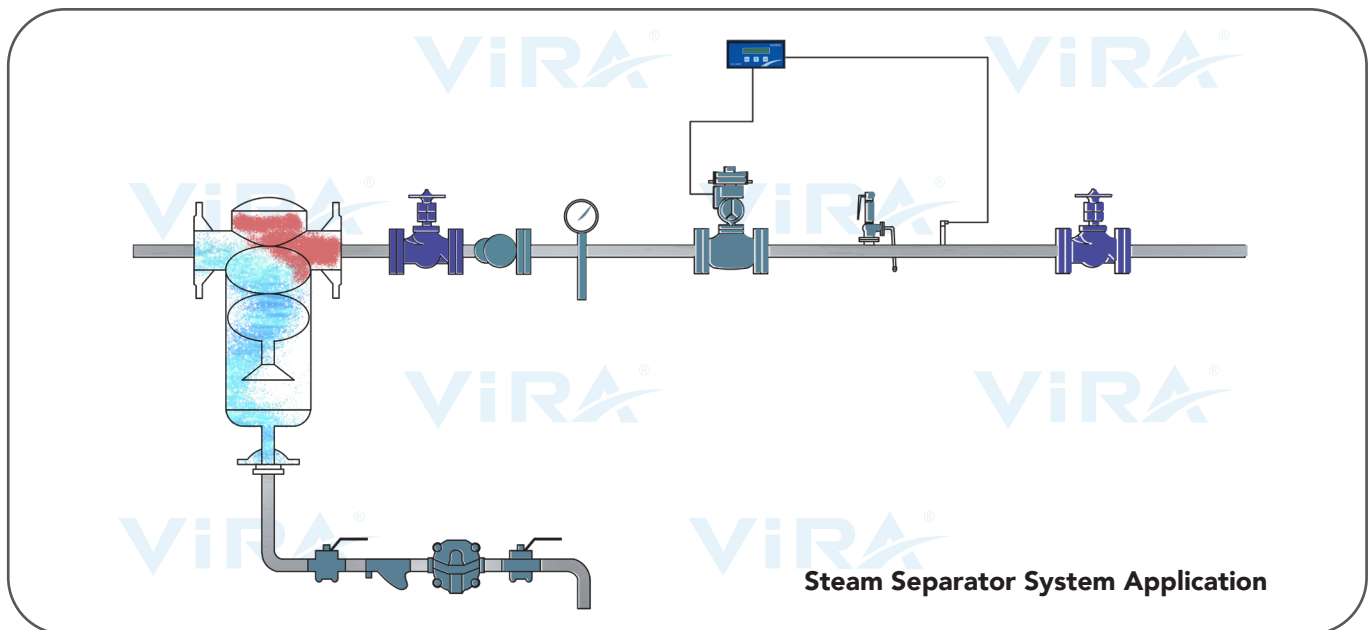


SEPARATORS

Steam leaving the boiler may contain water particles and cause water to be carried out of the boiler. 'Wet' steam is an important problem in the steam system as it can cause some problems such as maintenance and process problems, lower efficiency, erosion and corrosion. Vira **Vortex and Cyclone** type steam separators are designed to efficiently remove moisture from the steam flow. A correctly selected separator can increase the dryness of the steam up to 98%.

Note: Separator should be chosen considering; the line diameter, velocity and pressure drop.

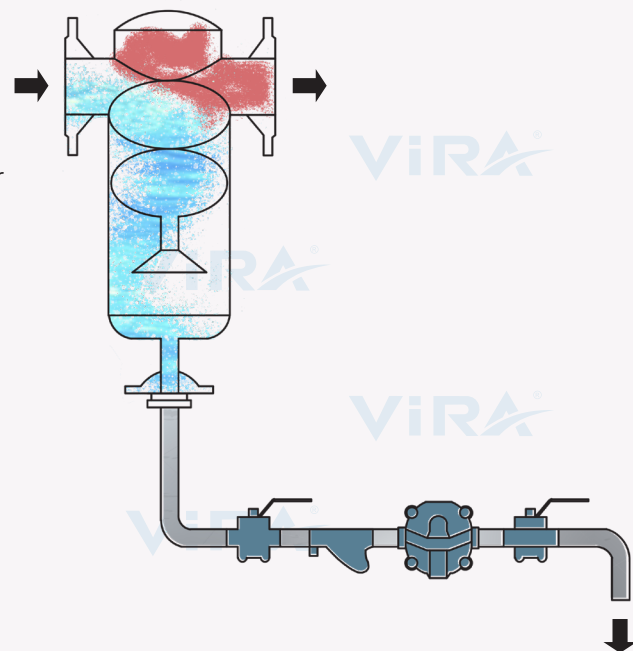


Where to use;

- Outlet of the steam boilers
- Steam flow meter inlets
- Inlet of control valves (temperature, pressure or flow control)

Benefits

- Carbon steel or stainless steel construction
- High efficiency over wide flow range
- No required maintenance
- Economical choice for most applications
- Removes 99% of all water particles
- Gas, steam, or air applications

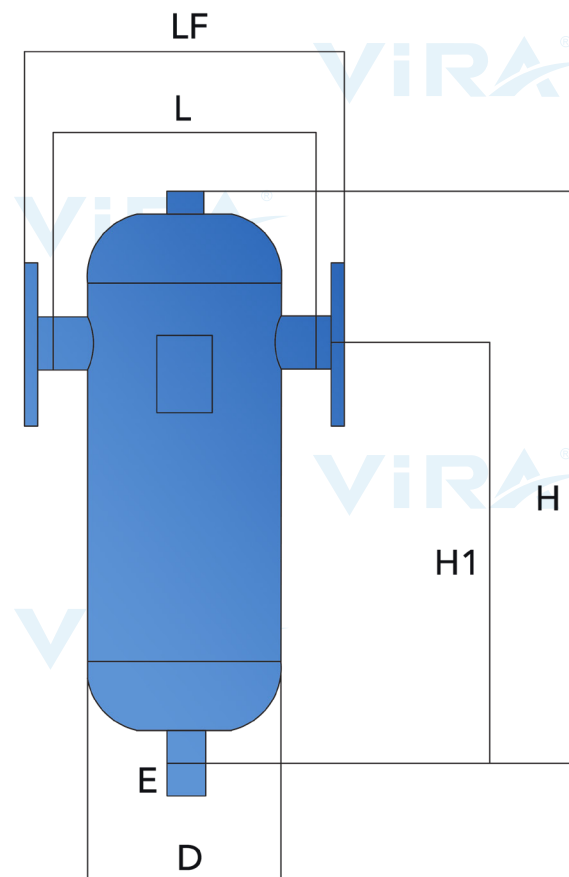


STEAM SEPARATOR

Type: VS-VSF Vortex Steam Separator
Type: SS-SSF Cyclone Steam Separator

Vira steam separators are Vortex and Cyclone type separators. It takes advantage of the difference in specific gravity of liquid and gas by using centrifugal force to separate steam, air and water particles. Steam or compressed air is directed into a spiral flow down the inner wall of the separator. It is then pulled under the separator where a steam trap station is placed to drain the condensate with the help of gravity. Vira steam separators can be produced with different connection types and material options.

- VS** : Vortex Threaded Carbon Steel
- VSF** : Vortex Flanged Carbon Steel
- VS - S** : Vortex Threaded Stainless Steel
- VSF-S** : Vortex Flanged Stainless Steel
- SS** : Cyclone Threaded Carbon Steel
- SSF** : Cyclone Flanged Carbon Steel
- SS - S** : Cyclone Threaded Stainless Steel
- SSF - S** : Cyclone Flanged Stainless Steel
- Sizes** : 1/2" - 4" / DN 15 - DN 300
- Nominal Press.:** PN 16, PN 25, PN 40
- Max. Operat. Temp. :** 300 °C



DIMENSIONS						
DN	D (mm)	H (mm)	H1 (mm)	E (inch)	LF (mm)	L (mm)
15	114,3	300	210	1/2"	230	180
20	114,3	300	210	1/2"	230	180
25	114,3	350	210	1/2"	230	180
32	139,7	435	300	1"	260	240
40	139,7	435	300	1"	260	240
50	168,3	500	370	1"	300	270
65	219,1	570	410	1 1/2"	380	340
80	219,1	610	460	1 1/2"	400	360
100	273	905	660	1 1/2"	485	450
125	323,9	905	660	2"	550	500
150	350	1000	710	2"	585	535
200	400	1285	1005	2"	650	600

Note: Datas on the table are according to VSF-16 model